

---

# BOONTON CALIBRATOR

## DC Range Calibrator Model 2500

- Accurate, convenient, and self contained.
- Designed for calibrating the Model 4200 and 9200 series instruments.

### Description

The Model 2500 is a precise, highly stable DC range calibrator that provides the voltage levels and source resistances that are necessary to calibrate the Model 4200 and 9200 series instruments.

### Specifications

#### Ranges and Outputs:

| Range | Output Voltage |
|-------|----------------|
| 0     | 9 $\mu$ V      |
| 1     | 90 $\mu$ V     |
| 2     | 900 $\mu$ V    |
| 3     | 9 mV           |
| 4     | 90 mV          |
| 5     | 900 mV         |
| 6A    | 1.8 V          |
| 6B    | 4.5 V          |

**Accuracy:**  $\pm 0.15\%$ , all ranges.

#### Source Resistance:

|                |                                 |
|----------------|---------------------------------|
| Low            | 900 $\Omega$ to 1800 $\Omega$ . |
| 300 k $\Omega$ | 300k $\Omega$ $\pm 2\%$ .       |
| 500 k $\Omega$ | 500k $\Omega$ $\pm 2\%$ .       |

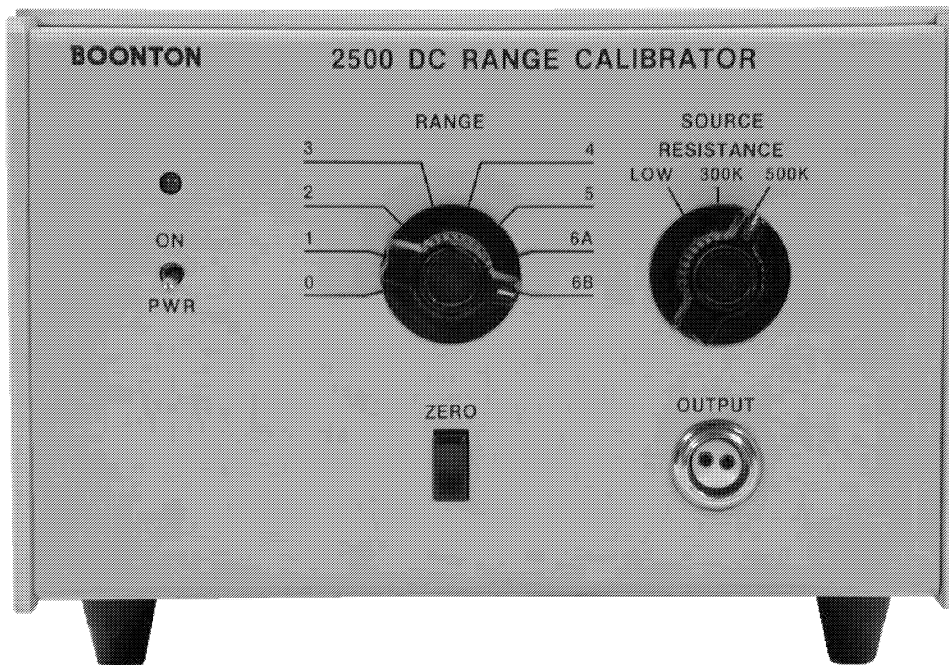
#### Temperature Influence:

|                |               |
|----------------|---------------|
| Operating:     | 21° to 25°C.  |
| Non-operating: | -20° to 75°C. |

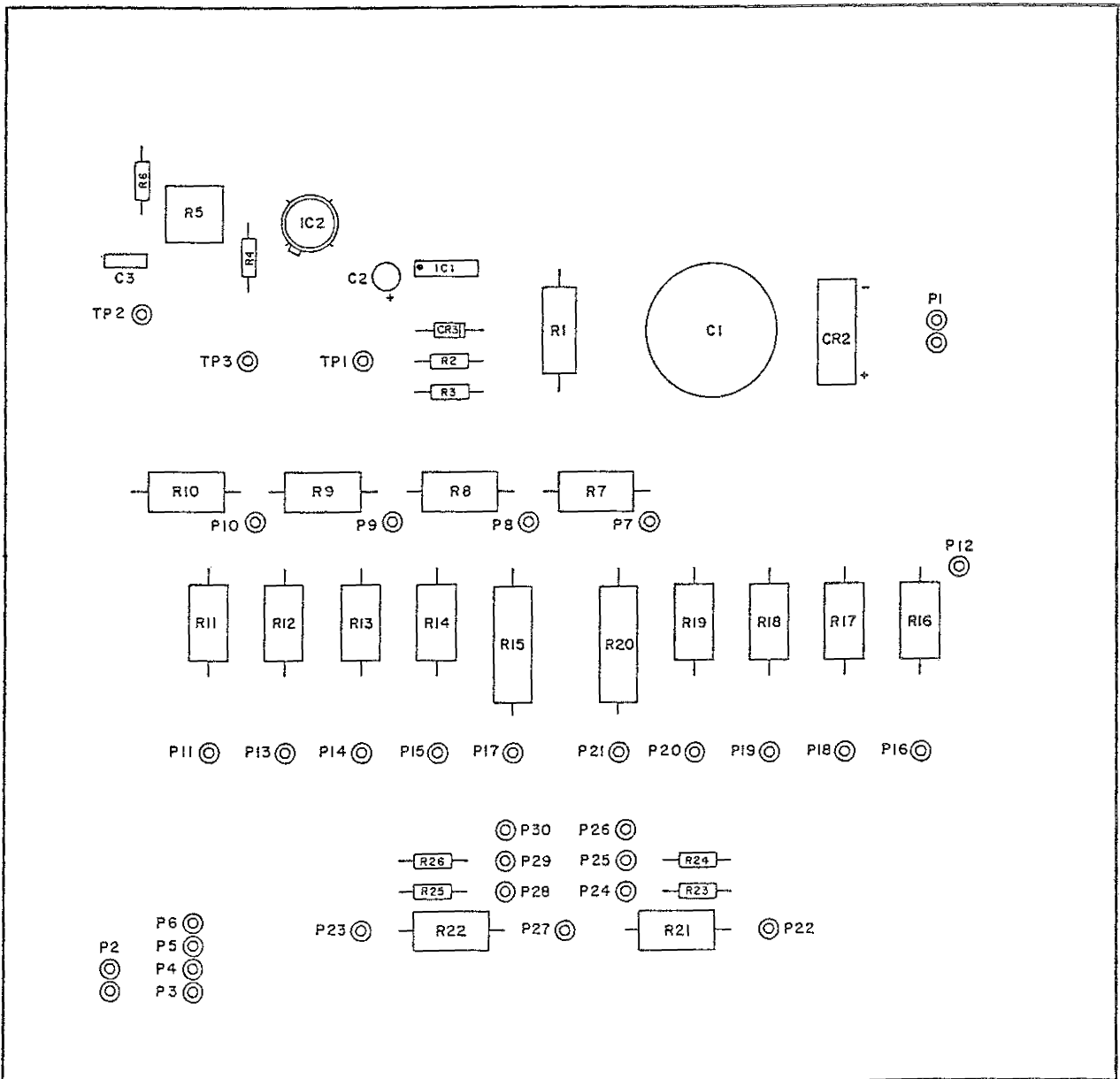
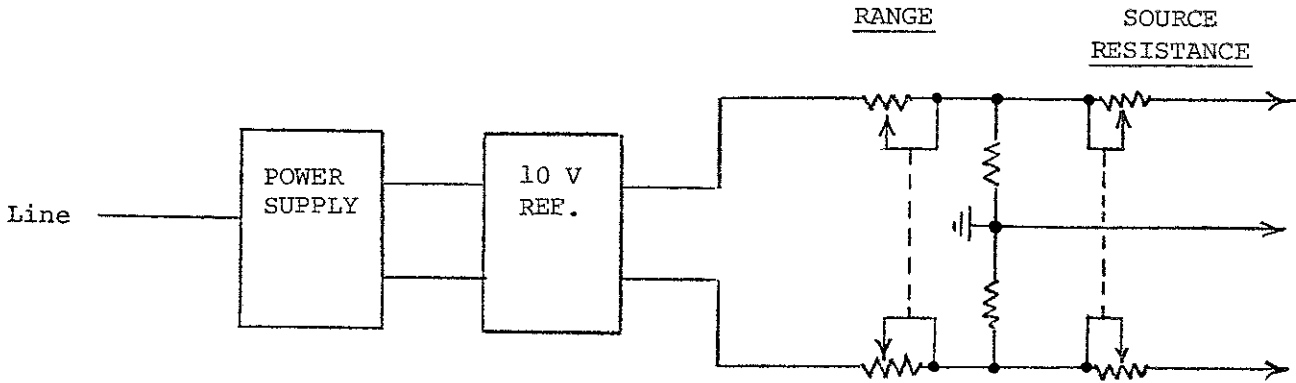
**Power Consumption:** 7 VA; 100, 120, 220, 240 V  $\pm 10\%$ , 50 to 400 Hz.

**Dimensions:** 5.2 in (13.2 cm) high, 8.3 in (21.1 cm) wide, and 11.5 in (29.2 cm) deep.

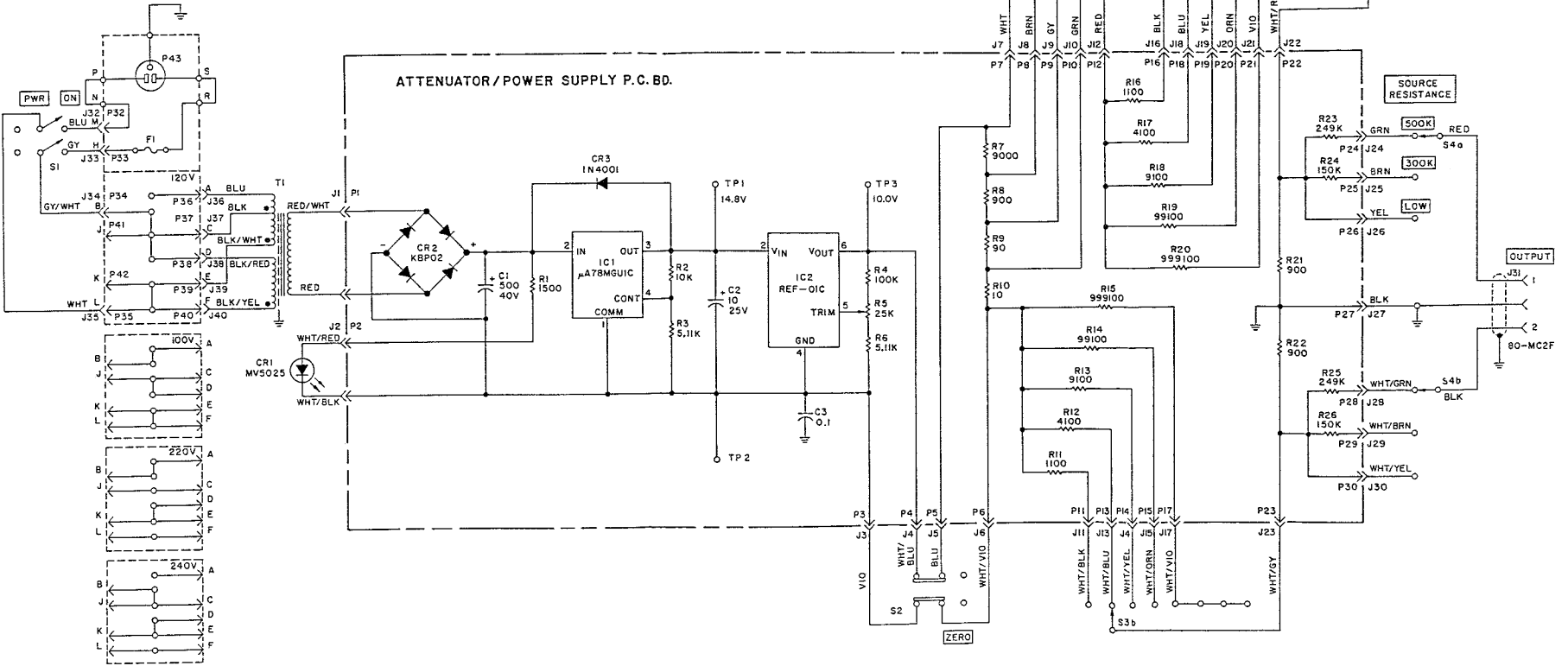
**Weight:** 5.9 lbs (2.7 kg).



MODEL 2500 SIMPLIFIED SCHEMATIC



|            |         |         |          |
|------------|---------|---------|----------|
| VOLTS ±10% | 100/120 | 220/240 | 50-400Hz |
| FUSE       | 0.1A    | 0.06A   | 7VA      |



- NOTES:
1. CAPACITANCE VALUES IN  $\mu$ F UNLESS OTHERWISE SPECIFIED.
  2. RESISTANCE VALUES IN OHMS UNLESS OTHERWISE SPECIFIED.
  3.   EXTERNAL MARKINGS.
  4. LAST NUMBERS USED  
R26 C3

Schematic, Attenuator/Power Supply PC BD  
E831125 C